

BARBECUES ADELAÏDE : 2 - 3 - 4 WOODY - WOODY L - CLASSIC - CLASSIC L & CLASSIC L DELUXE



ADELAÏDE 2 WOODY



ADELAÏDE 2 CLASSIC L



ADELAÏDE 2 CLASSIC L DELUXE



ADELAÏDE 3 WOODY



ADELAÏDE 3 WOODY L



ADELAÏDE 3 CLASSIC L



ADELAÏDE 3 CLASSIC L DELUXE



ADELAÏDE 4 CLASSIC



ADELAÏDE 4 WOODY

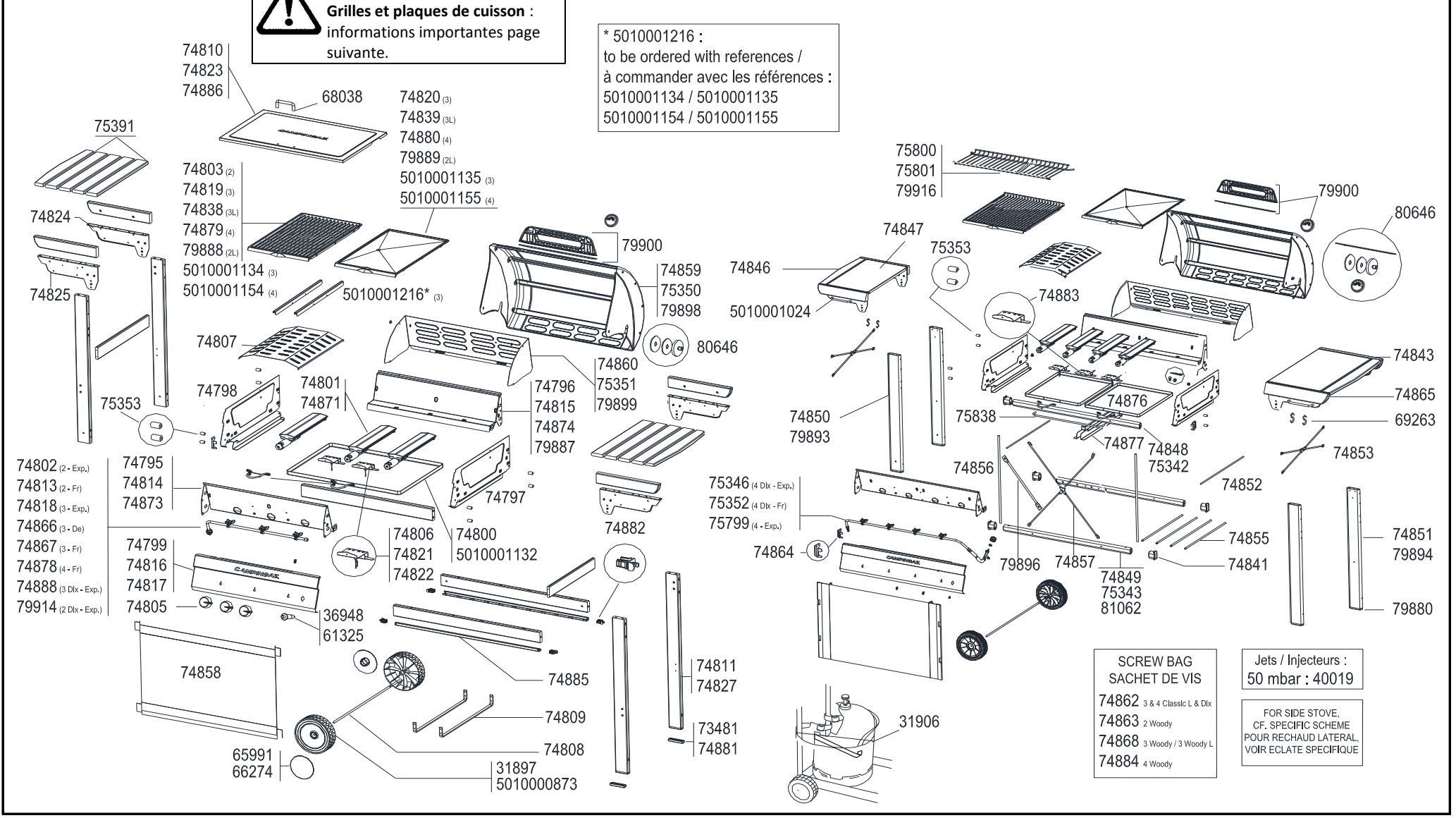


ADELAÏDE 4 CLASSIC L DELUXE

BARBECUES ADELAÏDE : 2 - 3 - 4 WOODY - WOODY L - CLASSIC - CLASSIC L & CLASSIC L DELUXE

Grids and griddles : important information next page.
Grilles et plaques de cuisson : informations importantes page suivante.

* 5010001216 :
 to be ordered with references /
 à commander avec les références :
 5010001134 / 5010001135
 5010001154 / 5010001155



**SCREW BAG
 SACHET DE VIS**
 74862 3 & 4 Classic L & Dlx
 74863 2 Woody
 74868 3 Woody / 3 Woody L
 74884 4 Woody

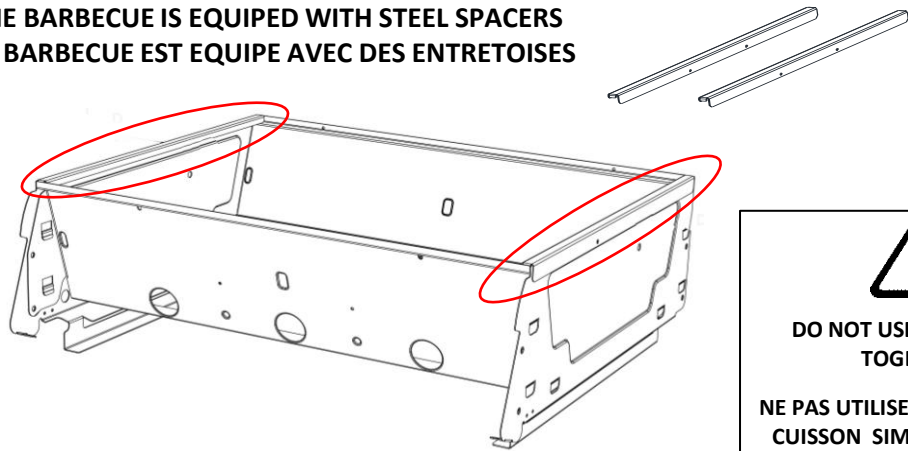
**Jets / Injecteurs :
 50 mbar : 40019**

**FOR SIDE STOVE,
 CF. SPECIFIC SCHEME
 POUR RECHAUD LATÉRAL,
 VOIR ÉCLATE SPECIFIQUE**

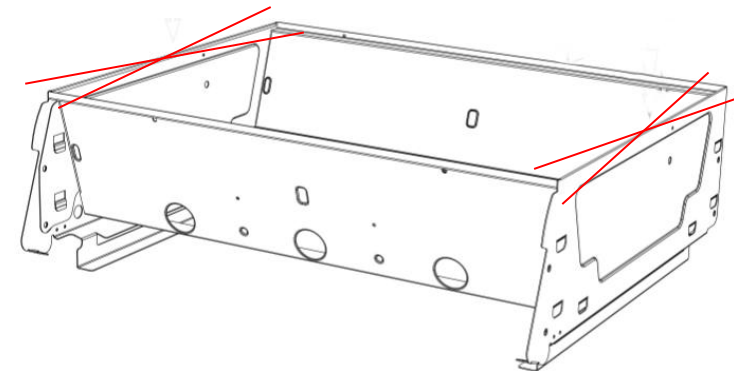
BARBECUES ADELAÏDE : 2 - 3 - 4 WOODY - WOODY L - CLASSIC - CLASSIC L & CLASSIC L DELUXE

GRIDS AND GRIDDLES / GRILLES ET PLAQUES DE CUISSON

**IF THE BARBECUE IS EQUIPED WITH STEEL SPACERS
SI LE BARBECUE EST EQUIPE AVEC DES ENTRETOISES**



**IF THE BARBECUE IS NOT EQUIPED WITH STEEL SPACERS
SI LE BARBECUE N'EST PAS EQUIPE D'ENTRETOISES**





DO NOT USE 2 GRIDDLES TOGETHER

NE PAS UTILISER 2 PLAQUES DE CUISSON SIMULTANEMENT.

**USE THE FOLLOWING GRIDS AND GRIDDLES
UTILISER LES GRILLES ET PLAQUES DE CUISSON CI-DESSOUS**

- 5010001134 - ENAMELLED GRID / GRILLE DE CUISSON EMAILLEE
- 5010001135 - CAST IRON GRIDDLE / PLAQUE DE CUISSON FONTE
- 5010001154 - ENAMELLED GRID / GRILLE DE CUISSON EMAILLEE
- 5010001155 - CAST IRON GRIDDLE / PLAQUE DE CUISSON FONTE

USE THE FOLLOWING GRIDS AND GRIDDLES / UTILISER LES GRILLES ET PLAQUES DE CUISSON CI-DESSOUS

- 74803 - CAST IRON GRID / GRILLE DE CUISSON FONTE
- 74819 - CAST IRON GRID / GRILLE DE CUISSON FONTE
- 74820 - CAST IRON GRIDDLE / PLAQUE DE CUISSON FONTE
- 74838 - ENAMELLED CAST IRON GRID / GRILLE FONTE EMAILLEE
- 74839 - CAST IRON GRIDDLE / PLAQUE DE CUISSON FONTE
- 74879 - CAST IRON GRID / GRILLE DE CUISSON FONTE
- 74880 - CAST IRON GRIDDLE / PLAQUE DE CUISSON FONTE
- 79888 - 1/2 CAST IRON GRID / 1/2 GRILLE DE CUISSON FONTE
- 79889 - 1/2 CAST IRON GRIDDLE / 1/2 PLAQUE DE CUISSON FONTE

OR / OU

USE THE FOLLOWING GRIDS AND GRIDDLES WITH STEEL SPACERS 5010001216

UTILISER LES GRILLES ET PLAQUES DE CUISSON CI-DESSOUS AVEC LES ENTRETOISES 5010001216

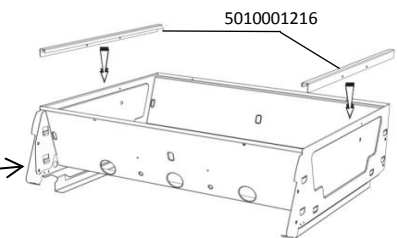
- 5010001134 - ENAMELLED GRID / GRILLE DE CUISSON EMAILLEE
- 5010001135 - CAST IRON GRIDDLE / PLAQUE DE CUISSON FONTE
- 5010001154 - ENAMELLED GRID / GRILLE DE CUISSON EMAILLEE
- 5010001155 - CAST IRON GRIDDLE / PLAQUE DE CUISSON FONTE

+

5010001216 - STEEL SPACER / ENTRETOISE ACIER



**DO NOT MIX GRIDS / GRIDDLES OF BOTH GROUPS.
NE PAS UTILISER DE GRILLES / PLAQUES DES 2 GROUPES SIMULTANEMENT.**



BARBECUES ADELAÏDE : 2 - 3 - 4 WOODY - WOODY L - CLASSIC - CLASSIC L & CLASSIC L DELUXE



SPARE PARTS REF.	POINTS	EN DESCRIPTIONS	FR DESCRIPTIONS											
				2 WOODY	3 WOODY	3 WOODY L	4 WOODY	2 CLASSIC L	2 CLASSIC L DELUXE	3 CLASSIC - L & L DELUXE	4 CLASSIC	4 CLASSIC L DELUXE		
31897	50	WHEEL DIAMETER 175 (X 1)	ROUE DIAMETRE 175 (X 1)	X	X	X		X	X					
31906	30	CYLINDER STRAP	SANGLE BOUTEILLE	X	X	X	X	X	X	X	X	X	X	X
36948	60	SIMPLE IGNITER	PIEZO SIMPLE	X				X	X					
40019	50	JET	INJECTEUR	X	X	X		X	X	X				
61325	80	DOUBLE IGNITOR	PIEZO DOUBLE		X	X	X				X	X	X	X
65991	30	HUB CAP	ENJOLIVEUR DE ROUE					X	X					
66274	30	BROWN HUB CAP	ENJOLIVEUR MARRON		X	X								
68038	60	LID HANDLE	POIGNEE COUVERCLE	X	X		X						X	
69263	30	HOOKS (X 3)	CROCHETS (X 3)				X	X	X	X	X	X	X	X
73481	30	PLASTIC FOOT FOR TROLLEY	PIED PLASTIQUE CHARIOT	X	X	X								
74795	80	BASE - FRONT PART	CUVE - PARTIE FRONTALE	X				X	X					
74796	80	BASE - REAR PART	CUVE - PARTIE ARRIERE	X										
74797	100	BASE - RIGHT SIDE	CUVE - COTE DROIT	X	X	X	X	X	X	X	X	X	X	X
74798	100	BASE - LEFT SIDE	CUVE - COTE GAUCHE	X	X	X	X	X	X	X	X	X	X	X
74799	90	FRONT PANEL	CONSOLE	X				X	X					
74800	80	GREASE DRAWER	PLATEAU RAMASSE GRAISSE	X				X	X					
74801	100	CAST IRON BURNER 28Mb	BRULEUR FONTE 28 Mb	X	X	X	X	X	X	X	X	X	X	X
74802	200	GAS PIPE 28 MB - EXPORT NOZZLE	TUBULURE 28 MB - ABOUT EXPORT	X				X						
74803	180	CAST IRON GRID	GRILLE FONTE	X										
74805	30	KNOBS (X2)	VOLANTS (X2)	X	X	X	X	X	X	X	X	X	X	X
74806	50	ELECTRODE + HOLDER (ROUND END)	ELECTRODE + CACHE ELECTRODE (COSSE RONDE)	X				X	X					
74807	70	HEAT DIFFUSER	DIFFUSEUR DE CHALEUR	X	X	X	X	X	X	X	X	X	X	X
74808	40	WHEEL AXLE	AXE DE ROUE	X	X	X	X	X	X	X	X	X	X	X
74809	40	CYLINDER WIRE	FIL SUPPORT RESERVOIR	X	X	X								
74810	140	FLAT LID	COUVERCLE PLAT	X										
74811	600	WOODEN TROLLEY	CHARIOT BOIS	X										

BARBECUES ADELAÏDE : 2 - 3 - 4 WOODY - WOODY L - CLASSIC - CLASSIC L & CLASSIC L DELUXE



SPARE PARTS REF.	POINTS	EN DESCRIPTIONS	FR DESCRIPTIONS	2 WOODY	3 WOODY	3 WOODY L	4 WOODY	2 CLASSIC L	2 CLASSIC L DELUXE	3 CLASSIC - L & L DELUXE	4 CLASSIC	4 CLASSIC L DELUXE
74813	200	GAS PIPE 28 MBAR - 1/2" (Fr)	TUBULURE 28 MBAR - 1/2" (Fr)	X								
74814	100	BASE - FRONT PART	CUVE - PARTIE FRONTALE		X	X				X		
74815	100	BASE - REAR PART	CUVE - PARTIE ARRIERE		X	X				X		
74816	80	FRONT PANEL	CONSOLE		X	X				X		
74817	100	FRONT PANEL	CONSOLE				X				X	X
74818	230	GAS PIPE 28 MBAR - EXPORT NOZZLE	TUBULURE 28 MBAR - ABOUT EXPORT		X					X		
74819	180	CAST IRON GRID	GRILLE FONTE		X							
74820	160	CAST IRON GRIDDLE	PLAQUE FONTE		X					X		
74821	80	ELECTRODE + HOLDER (SQUARE END)	ELECTRODE + SUPPORT (EMBOUT CARRE)		X	X	X			X	X	X
74822	80	ELECTRODE + HOLDER (ROUND END)	ELECTRODE + SUPPORT (COSSE RONDE)		X	X	X			X	X	X
74823	160	FLAT LID	COUVERCLE PLAT		X					X		
74824	60	RIGHT PLANK HOLDER	SUPPORT ETAGERE DROIT		X	X	X	X	X	X	X	X
74825	70	LEFT PLANK HOLDER	SUPPORT ETAGERE GAUCHE		X	X	X	X	X	X	X	X
74827	700	WOODEN TROLLEY	CHARIOT BOIS		X	X						
74838	220	ENAMELLED CAST IRON GRID	GRILLE FONTE EMAILLEE			X				X		
74839	230	CAST IRON GRIDDLE	PLAQUE DE CUISSON FONTE			X				X		
74841	60	CROSS TUBE INSERT (x 6)	INSERT TUBE CHARIOT (x 6)					X	X	X	X	X
74843	70	RIGHT REAR SIDE FLANK	FLANC ETAGERE ARRIERE DROITE				X	X	X	X	X	X
74846	70	CURVED SHELF PLANK	LATTE ETAGERE GALBEE		X	X	X	X	X	X	X	X
74847	90	SHELF	ETAGERE					X	X	X	X	X
74848	70	UPPER CROSS TUBE	TRAVERSE SUPERIEURE							X		
74849	120	LOWER CROSS TUBE	TRAVERSE INFERIEURE							X		
74850	80	LEFT TUBE	TUBE GAUCHE							X	X	X

BARBECUES ADELAÏDE : 2 - 3 - 4 WOODY - WOODY L - CLASSIC - CLASSIC L & CLASSIC L DELUXE



SPARE PARTS REF.	POINTS	EN DESCRIPTIONS	FR DESCRIPTIONS	2	3	3	4	2	2	3	4	4
				WOODY	WOODY	WOODY L	WOODY	CLASSIC L	CLASSIC L DELUXE	CLASSIC L & L DELUXE	CLASSIC	CLASSIC L DELUXE
74851	80	RIGHT TUBE	TUBE DROIT							X	X	X
74852	40	STOP CYLINDER WIRE	FIL ARRET BOUTEILLE					X	X	X	X	X
74853	40	SIDE STRENGTHENING BARS ASSEMBLED	BARRE RENFORT LATERALE ASSEMBLEE					X	X	X	X	X
74855	90	CYLINDER HOLDER (4 WIRES)	SUPPORT DE RESERVOIR (4 FILS)					X	X	X	X	X
74856	30	CYLINDER COVER TUBE	TUBE JUPE					X	X	X	X	X
74857	40	FRONT STRENGTHENING BAR ASSEMBLED	RENFORT FRONTAL ASSEMBLE							X	X	X
74858	130	CYLINDER COVER	JUPE TEXTILE							X		
74859	420	ARTICULATED LID	COUVERCLE ARTICULE			X				X		
74860	170	WINDSHIELD	PAREVENT			X				X		
74862	150	SCREW BAGS (SMALL + LARGE PARTS)	SACHETS DE VIS (PETITES + GROSSES PIECES)							X	X	X
74863	140	SCREW BAGS (SMALL + LARGE PARTS)	SACHETS DE VIS (PETITES + GROSSES PIECES)	X								
74864	30	GAS RAIL HOLDER	SUPPORT MAINTIEN TUBULURE	X	X	X	X	X	X	X	X	X
74865	80	RIGHT FRONT SIDE FLANK	FLANC ETAGERE AVANT DROITE				X	X	X	X	X	X
74866	250	GAS PIPE 50 MBAR - 1/4" (D)	TUBULURE 50 MBAR - 1/4" (D)		X					X		
74867	250	GAS PIPE 28 MBAR - 1/2" (Fr)	TUBULURE 28 MBAR - 1/2" (Fr)		X	X				X		
74868	140	SCREW BAGS (SMALL + LARGE PARTS)	SACHETS DE VIS (PETITES + GROSSES PIECES)		X	X						
74871	100	CAST IRON BURNER 50Mb	BRULEUR FONTE 50Mb	X	X					X		
74873	120	BASE - FRONT PART	CUVE - PARTIE FRONTALE				X				X	X
74874	120	BASE - REAR PART	CUVE - PARTIE ARRIERE				X				X	X
74876	70	GREASE DRAWER WITHOUT HANDLE	TIROIR A GRAISSE SANS POIGNEE				X				X	X
74877	60	CENTRAL GUIDE	GLISSIERE CENTRALE				X				X	X
74878	300	GAS PIPE 28 MBAR - 1/2" (Fr)	TUBULURE 28 MBAR - 1/2" (Fr)				X				X	
74879	280	CAST IRON GRID	GRILLE DE CUISSON FONTE				X				X	X
74880	160	CAST IRON GRIDDLE	PLAQUE DE CUISSON FONTE				X				X	X
74881	30	PLASTIC FOOT	PIED PLASTIQUE				X					
74882	60	PLANK PLASTIC INSERT (x4)	INSERT SUPPORT LATTE (x4)				X					

BARBECUES ADELAÏDE : 2 - 3 - 4 WOODY - WOODY L - CLASSIC - CLASSIC L & CLASSIC L DELUXE



SPARE PARTS REF.	POINTS	EN DESCRIPTIONS	FR DESCRIPTIONS										
				2 WOODY	3 WOODY	3 WOODY L	4 WOODY	2 CLASSIC L	2 CLASSIC L DELUXE	3 CLASSIC - L & L DELUXE	4 CLASSIC	4 CLASSIC L DELUXE	
74883	40	ELECTRODE HOUSING	SUPPORT ELECTRODE		X	X	X				X	X	X
74884	140	SCREW BAGS (SMALL + LARGE PARTS)	SACHETS DE VIS (PETITES + GROSSES PIECES)				X						
74885	60	PLANK HOLDER	TRAVERSE SUPPORT LATTE				X						
74886	170	FLAT LID	COUVERCLE PLAT				X					X	
74888	320	STOVE GAS PIPE 28MB-EXPORT NOZZLE	TUBULURE RECHAUD LAT. 28 MB-EXPORT								X		
75342	80	UPPER CROSS TUBE	TRAVERSE SUPERIEURE									X	X
75343	80	LOWER CROSS TUBE	TRAVERSE INFERIEURE									X	X
75346	350	STOVE GAS PIPE 28 MB - EXPORT NOZZLE	TUBULURE RECHAUD LAT. 28 MB - EXPORT										X
75350	480	ARTICULATED LID	COUVERCLE ARTICULE										X
75351	170	WINDSHIELD	PAREVENT										X
75352	350	STOVE GAS PIPE. 28 MB -1/2" (Fr)	TUBULURE RECHAUD LAT. 28 MB -1/2" (Fr)										X
75353	50	SPACERS (x8)	ENTRETOISES (x8)	X	X	X	X						
75391	350	SHELF PLANKS X 4	LATTES ETAGERE X 4		X	X							
75799	300	GAS PIPE 28 MB - EXPORT NOZZLE	TUBULURE 28 MB- ABOUT EXPORT				X					X	
75800	140	WARMING GRID	GRILLE DE MIJOTAGE										X
75801	120	WARMING GRID	GRILLE DE MIJOTAGE			X					X		
75838	50	USTENSILS WIRE (LONG)	FIL PORTE-USTENSILES (GRAND MODELE)								X	X	X
79880	40	PLASTIC FOOT + BUSHING	PIED PLASTIQUE + BUSHING								X	X	X
79887	90	BASE - REAR PART	CUVE - PARTIE ARRIERE					X	X				
79888	200	1/2 CAST IRON GRID	1/2 GRILLE DE CUISSON FONTE					X	X				
79889	200	1/2 CAST IRON GRIDDLE	1/2 PLAQUE DE CUISSON FONTE					X	X				

BARBECUES ADELAÏDE : 2 - 3 - 4 WOODY - WOODY L - CLASSIC - CLASSIC L & CLASSIC L DELUXE



SPARE PARTS REF.	POINTS	EN DESCRIPTIONS	FR DESCRIPTIONS	2 WOODY	3 WOODY	3 WOODY L	4 WOODY	2 CLASSIC L	2 CLASSIC L DELUXE	3 CLASSIC - L & L DELUXE	4 CLASSIC	4 CLASSIC L DELUXE
79893	100	LEFT TUBE + PLASTIC FOOT	TUBE GAUCHE + PATIN PLASTIQUE					X	X			
79894	100	RIGHT TUBE + PLASTIC FOOT	TUBE DROIT + PATIN PLASTIQUE					X	X			
79896	50	SIDE STRENGTHENING BARS (X 2)	FIL RENFORT CHARIOT (X 2)					X	X			
79898	450	ARTICULATED LID	COUVERCLE ARTICULE					X	X			
79899	180	WINDSHIELD	PAREVENT					X	X			
79900	130	HANDLE + THERMIC SHIELD + THERMOMETER	POIGNEE + ECRAN THERMIQUE + THERMOMETRE			X		X	X	X		X
79914	350	STOVE GAS PIPE 28MB - NOZZLE EXPORT	TUBULURE RECHAUD LAT. 28 MB - ABOUT EXPORT						X			
79916	140	WARMING RACK	GRILLE DE MIJOTAGE					X	X			
80646	120	AXLE + LATERAL STOP + WASHERS + THERMOMETER	AXE + JOINTS + BUTEES + THERMOMETRE			X		X	X	X		X
81062	90	CROSS TUBE	TUBE DE JONCTION					X	X			
5010000873	50	WHEEL	ROUE				X			X	X	X
5010001024	40	HANDLE / USTENSIL HOLDER	POIGNEE / PORTE USTENSILE				X	X	X	X	X	X
5010001132	80	GREASE PLATE	PLATEAU RAMASSE GRAISSE		X	X				X		
* 5010001134	125	ENAMELLED GRID	GRILLE EMAILLEE		X					X		
* 5010001135	200	CAST IRON GRIDDLE	PLAQUE DE CUISSON FONTE		X	X				X		
* 5010001154	140	ENAMELLED STEEL GRID	GRILLE DE CUISSON ACIER EMAILLE				X				X	X
* 5010001155	210	CAST IRON GRIDDLE	PLAQUE DE CUISSON FONTE				X				X	X
5010001216	40	STEEL SPACER	ENTRETOISE ACIER		X		X			X	X	X
* IF YOU ORDER ONE OF THESE REFERENCES, ORDER ALSO REF 5010001216 / AVEC L'UNE DE CES REFERENCES, COMMANDER AUSSI LA REF 5010001216												
	O	FOR SIDE STOVE SEE SIDE STOVE SCHEME OF ADELAÏDE / POUR RECHAUD LATERAL VOIR ECLATE RECHAUD LATERAL ADELAÏDE							X	X		X