

**BARBECUES : 3 SERIES RBS  
L - CLASS 3 L - LS**



**3 SERIES RBS L  
CLASS 3 RBS L**



**3 SERIES RBS LS**

# BARBECUES : 3 SERIES RBS L - CLASS 3 L - LS

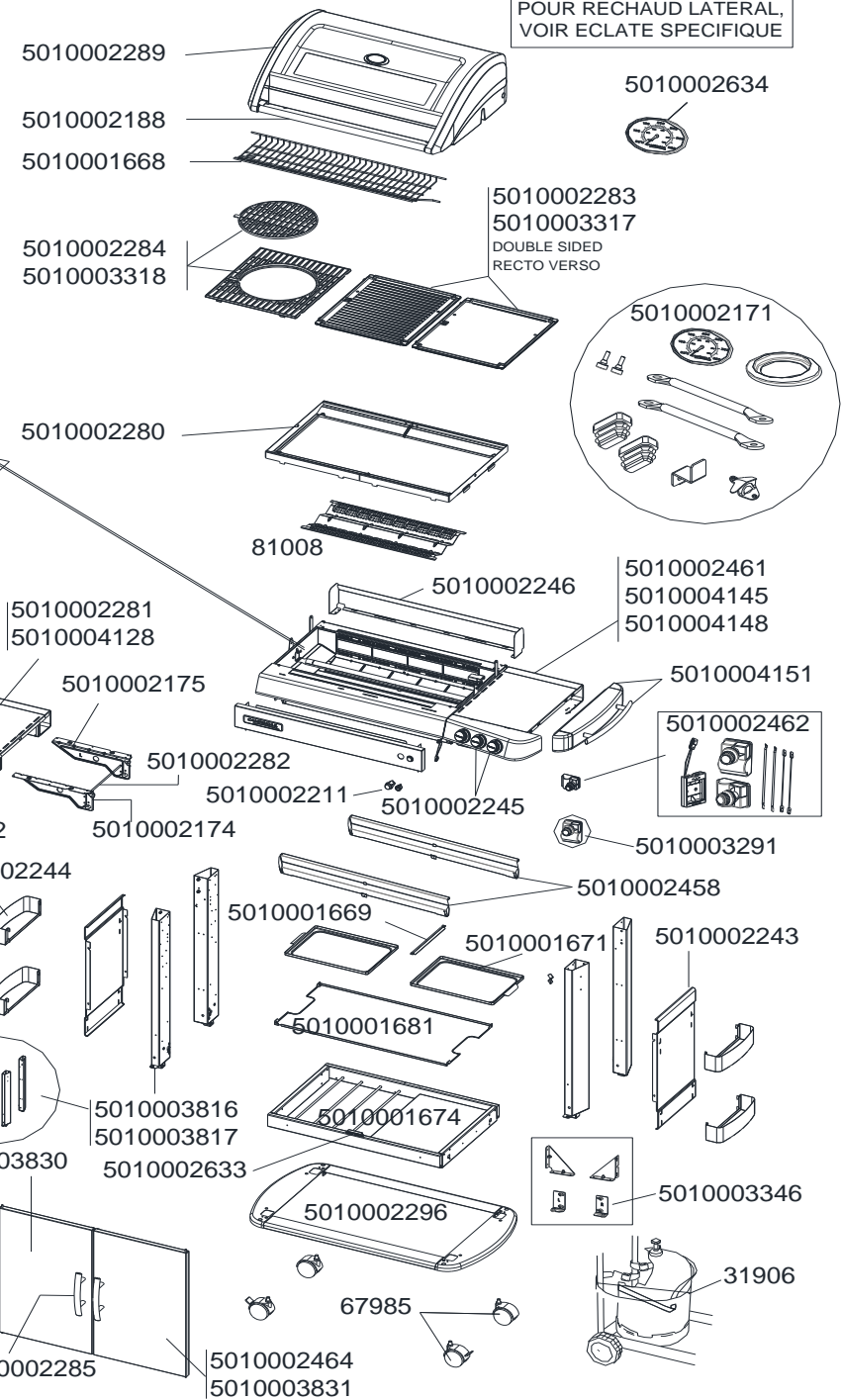
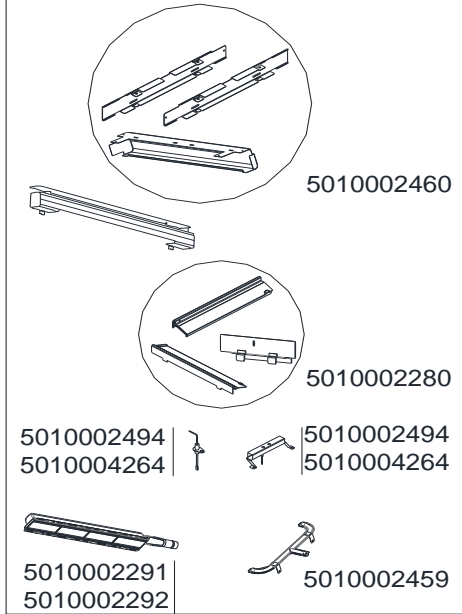
**DETAILED PARTS FOR BASE  
PIECES DETAILLEES POUR CUVE**

Screw Bag /  
Sachet de vis  
5010002286

Jet (Central Burner) /  
Injecteur (Brûleur Central) :  
36206 (28Mb)

Jet (Ceramic Burner) /  
Injecteur (Brûleur Céramique) :  
5010002537 (28Mb)

FOR SIDE STOVE,  
CF. SPECIFIC SCHEME  
POUR RECHAUD LATERAL,  
VOIR ECLATE SPECIFIQUE



Smooth painting / Peinture lisse  
5010002247 (Mod.3 L)  
5010002468 (Mod.Class 3 L)  
5010002470 (Mod.3 LS)

Textured painting / Peinture grainée  
5010004127 (Mod.3 L)  
5010004147 (Mod.Class 3 L)  
5010004149 (Mod.3 LS)

5010002465 (Exp.)  
5010002479 (Stove / Réchaud lat. Fr)  
5010002480 (De)  
5010002496 (Fr)  
5010003210 (Stove / Réchaud lat. De)  
5010003290 (Stove / Réchaud lat. Exp.)

# BARBECUES : 3 SERIES RBS L - CLASS 3 L - LS

| SPARE PARTS REF. | POINTS | EN DESCRIPTIONS  | FR DESCRIPTIONS                                      | 3 SERIES RBS L<br>CLASS 3 RBS L | 3 SERIES RBS LS |
|------------------|--------|--|--|---------------------------------|-----------------|
| 31906            | 30     | CYLINDER STRAP   | SANGLE BOUTEILLE                                     | X                               | X               |
| 36206            | 50     | JET  | INJECTEUR  | X                               | X               |
| 67985            | 90     | SET OF WHEELS (x2)                                     | ENSEMBLE ROUES (x2)                                  | X                               | X               |
| 81008            | 90     | DEFLECTOR  | DEFLECTEUR   | X                               | X               |
| 5010001668       | 120    | WARMING GRID   | GRILLE DE MIJOTAGE                                   | X                               | X               |
| 5010001669       | 20     | GREASE DRAWER TENT                                     | TENTE TIROIR RAMASSE GRAISSE                         | X                               | X               |
| 5010001671       | 50     | GREASE PLATE   | PLATEAU RAMASSE GRAISSE                              | X                               | X               |
| 5010001674       | 240    | CHASSIS  | CHASSIS  | X                               | X               |
| 5010001681       | 60     | HEAT SHIELD  | PARE CHALEUR   | X                               | X               |
| 5010002171       | 60     | THERMOMETER + ACCESSORIES                              | THERMOMETRE + ACCESSOIRES                            | X                               | X               |
| 5010002174       | 60     | RIGHT SIDE SHELF SUPPORT                               | SUPPORT DROIT ETAGERE                                | X                               | X               |
| 5010002175       | 60     | LEFT SIDE SHELF SUPPORT                                | SUPPORT GAUCHE ETAGERE                               | X                               | X               |
| 5010002188       | 60     | HANDLE + INSULATING + ENDS                             | POIGNEE + ISOLANT + EMBOUTS                          | X                               | X               |
| 5010002192       | 40     | USTENSIL HOOK  | PORTE USTENSILES                                     | X                               | X               |
| 5010002211       | 40     | PUSH BUTTON ELECTRONIC IGNITOR                         | BOUTTON POUSSOIR TRAIN D'ETINCELLES                  | X                               | X               |
| 5010002243       | 70     | LATERAL PANEL  | PANNEAU LATERAL                                      | X                               | X               |
| 5010002244       | 70     | LATERAL BASKET   | PANIER LATERAL                                       | X                               | X               |
| 5010002245       | 50     | KNOB (x2)  | VOLANTS (x2)   | X                               | X               |
| 5010002246       | 70     | WINDSHIELD   | PAREVENT   | X                               | X               |
| 5010002247       | 130    | TOP + BOTTOM FRONT PANEL - SMOOTH DARK GREY            | CONSOLE HAUT + BAS - LISSE GRIS FONCE                | X                               |                 |
| 5010002280       | 140    | REMOVABLE BASE   | CUVE AMOVIBLE  | X                               | X               |
| 5010002281       | 240    | LEFT SIDE TABLE - SMOOTH DARK GREY                     | ETAGERE GAUCHE - LISSE GRIS FONCE                    | X                               | X               |
| 5010002282       | 30     | REINFORCEMENT WIRE SIDE SHELF                          | FIL RENFORT ETAGERE                                  | X                               | X               |
| 5010002283       | 260    | CAST IRON GRIDDLE - SHINY                              | PLAQUE DE CUISSON FONTE - BRILLANTE                  | X                               | X               |
| 5010002284       | 260    | CAST IRON GRID (FRAME + CIRCLE) - SHINY                | GRILLE DE CUISSON FONTE (CADRE + CERCLE) - BRILLANTE | X                               | X               |
| 5010002285       | 50     | DOOR HANDLE  | POIGNEE DE PORTE                                     | X                               | X               |
| 5010002286       | 70     | SCREW BAG  | SACHET DE VIS  | X                               | X               |
| 5010002289       | 750    | LID  | COUVERCLE  | X                               | X               |
| 5010002291       | 520    | BURNER 28Mb  | BRULEUR 28Mb   | X                               | X               |
| 5010002292       | 520    | BURNER 50Mb  | BRULEUR 50Mb   | X                               | X               |
| 5010002296       | 50     | SKIRT  | JUPE   |                                 | X               |
| 5010002458       | 50     | GREASE DRAWER RAILS (x2)                               | RAILS POUR TIROIR A GRAISSE (x2)                     | X                               | X               |
| 5010002459       | 170    | CROSS LIGHTING BURNER                                  | BRULEUR INTER ALLUMAGE                               | X                               | X               |
| 5010002460       | 90     | SPACERS FOR BASE                                       | ENTRETOISES POUR CUVE                                | X                               | X               |
| 5010002461       | 220    | RIGHT SIDE TABLE - SMOOTH DARK GREY                    | TABLETTE LATERALE DROITE - LISSE GRIS FONCE          | X                               |                 |
| 5010002462       | 140    | ELECTRONIC IGNITION SET (2/4 OUTLETS)                  | KIT ALLUMAGE ELECTRONIQUE (2/4 SORTIES)              |                                 | X               |
| 5010002464       | 210    | RIGHT DOOR   | PORTE DROITE   | X                               | X               |
| 5010002465       | 320    | GAS PIPE 28Mb - EXPORT                                 | TUBULURE 28Mb - EXPORT                               | X                               |                 |
| 5010002468       | 210    | TOP + BOTTOM FRONT PANEL - SMOOTH LIGHT GREY (Class 3) | CONSOLE HAUT + BAS - LISSE GRIS CLAIR (Class 3)      | X                               |                 |
| 5010002470       | 210    | TOP + BOTTOM FRONT PANEL - SMOOTH LIGHT GREY           | CONSOLE HAUT + BAS - LISSE GRIS CLAIR                |                                 | X               |
| 5010002479       | 430    | STOVE GAS PIPE 28Mb - 1/2" (Fr)                        | TUBULURE RECHAUD 28Mb - 1/2" (Fr)                    |                                 | X               |
| 5010002480       | 320    | GAS PIPE 50Mb - 1/4" (De)                              | TUBULURE 50Mb - 1/4" (De)                            | X                               |                 |
| 5010002494       | 60     | ELECTRODE + HOUSING (FRONT + REAR)                     | ELECTRODE + SUPPORT (AVANT + ARRIERE)                | X                               | X               |
| 5010002496       | 320    | GAS PIPE 28Mb - 1/2" (Fr)                              | TUBULURE 28Mb - 1/2" (Fr)                            | X                               |                 |

# BARBECUES : 3 SERIES RBS L - CLASS 3 L - LS

| SPARE PARTS REF. | POINTS | EN DESCRIPTIONS   | FR DESCRIPTIONS   | 3 SERIES RBS L<br>CLASS 3 RBS L | 3 SERIES RBS LS |
|------------------|--------|---|---|---------------------------------|-----------------|
| 5010002537       | 30     | JET   | INJECTEUR   | X                               | X               |
| 5010002633       | 50     | MAGNETS (X2)  | AIMANTS (X2)  | X                               | X               |
| 5010002634       | 50     | THERMOMETER   | THERMOMETRE   | X                               | X               |
| 5010003210       | 430    | STOVE GAS PIPE 50Mb - 1/4" (De)   | TUBULURE RECHAUD 50Mb - 1/4" (De)                           |                                 | X               |
| 5010003290       | 430    | STOVE GAS PIPE 28Mb - EXPORT  | TUBULURE RECHAUD 28Mb - EXPORT                              |                                 | X               |
| 5010003291       | 160    | ELECTRONIC IGNITION SET (2 OUTLETS)   | KIT ALLUMAGE ELECTRONIQUE (2 SORTIES)                       | X                               |                 |
| 5010003317       | 220    | ENAMELLED CAST IRON GRIDDLE - MATTE   | PLAQUE DE CUISSON FONTE EMAILLEE - MATE                     | X                               | X               |
| 5010003318       | 200    | CAST IRON GRID (FRAME + CIRCLE) - MATTE   | GRILLE DE CUISSON FONTE (CADRE + CERCLE) - MATE             | X                               | X               |
| 5010003346       | 40     | AXLE SUPPORTS FOR DOORS + 2 CHASSIS SQUARES   | SUPPORTS AXE PORTES + 2 EQUERRES CHASSIS                    | X                               | X               |
| 5010003816       | 280    | KIT LEGS (X4) - MOD. >= 2016  | KIT PIEDS (X4) - MOD. >= 2016                               | X                               |                 |
| 5010003817       | 290    | KIT LEGS (X4) - MOD. >= 2016  | KIT PIEDS (X4) - MOD. >= 2016                               |                                 | X               |
| 5010003830       | 150    | LEFT DOOR WITH HANDLE (MOD. 2016)   | PORTE GAUCHE AVEC POIGNEE (MOD. 2016)                       | X                               | X               |
| 5010003831       | 140    | RIGHT DOOR WITH HANDLE (MOD. 2016)  | PORTE DROITE AVEC POIGNEE (MOD. 2016)                       | X                               | X               |
| 5010004127       | 160    | TOP + BOTTOM FRONT PANELS - TEXTURED LIGHT GREY   | CONSOLES HAUT + BAS - GRAINE GRIS CLAIR                     | X                               |                 |
| 5010004128       | 220    | LEFT SIDE TABLE - TEXTURED DARK GREY  | ETAGERE GAUCHE - GRAINE GRIS FONCE                          | X                               | X               |
| 5010004145       | 190    | RIGHT SIDE TABLE - TEXTURED DARK GREY   | TABLETTE LATERALE DROITE - GRAINE GRIS FONCE                | X                               |                 |
| 5010004147       | 150    | TOP + BOTTOM FRONT PANELS - TEXTURED LIGHT GREY (Class 3)   | CONSOLES HAUT + BAS - GRAINE GRIS CLAIR (Class 3)           | X                               |                 |
| 5010004148       | 190    | SIDE BURNER SHELF W/ LID - TEXTURED DARK GREY (3 SERIES RBS)  | ETAGERE RECHAUD LAT. AVEC COUVERCLE - GRAINE GRIS FONCE (3  |                                 | X               |
| 5010004149       | 160    | TOP + BOTTOM FRONT PANEL - TEXTURED LIGHT GREY  | CONSOLE HAUT + BAS - GRAINE GRIS CLAIR                      |                                 | X               |
| 5010004151       | 110    | SIDE TABLE END + HANDLE - TEXTURED DARK GREY (LEFT and RIGHT)   | ENJOLIVEUR + POIGNEE - GRAINE GRIS FONCE (GAUCHE et DROITE) | X                               | X               |
| 5010004264       | 130    | KIT OF ELECTRODES + HOUSINGS  | KIT ELECTRODES + SUPPORTS ELECTRODES                        | X                               | X               |
|                  | O      | <b>POUR RECHAUD LATERAL VOIR ECLATE RECHAUD 2-3-4 SERIES RBS FOR SIDE STOVE SEE SIDE STOVE SCHEME OF 2-3-4 SERIES RBS</b> |   |                                 | X               |