

Spare Parts Ersatzteil-Liste

| Pos. | Art. Nr. | Description | Beschreibung |
|------|------------|--|---|
| 1 | 18.350.76 | Lid black 570 LH 135° | Deckel schwarz 570 LH 135° |
| 2 | 18.323.34 | Lid handle Geneva | Deckelgriff Geneva |
| 3 | 18.822.54 | Logo | Logo |
| 4 | 18.325.01 | Lid hinge complete | Deckelscharnier komplett |
| 5 | 18.360.63 | Upper lid hinge cover | Deckelscharnier-Abdeckung oben |
| 6 | 18.360.64 | Lower lid hinge cover | Deckelscharnier-Abdeckung unten |
| 7 | 18.850.21 | Heat indicator °C/°F | Temperatur Anzeige °C/°F |
| 8 | 18.850.14 | Frame for heat indicator | Rahmen zu Temperaturanzeiger |
| 9 | 18.850.12 | Heat indicator-Nut | Temperaturanzeiger-Befestigungsmutter |
| 10 | 18.320.00 | Cooking grid | Grillrost |
| 11 | 18.324.08 | Large funnel | Grosser Trichter |
| 12 | 18.320.03 | Small funnel | Kleiner Trichter |
| 13 | 18.350.85 | Bowl black 570 Geneva | Kugel schwarz 570 Geneva |
| 14 | 18.614.01 | Control knob big | Gasregulier-Knopf gross |
| 15 | 18.614.03 | Frame for control knob big | Rahmen zu Gasregulier-Knopf gross |
| 16 | 18.614.04 | Control knob small | Gasregulier-Knopf klein |
| 17 | 18.614.05 | Frame for control knob small | Rahmen zu Gasregulier-Knopf klein |
| 18 | 18.323.46 | Control panel DB Geneva | Bedienungskonsole DB Geneva |
| 19 | 18.340.73 | Valve assembly Geneva 30mbar | Ventilsatz Geneva 30mbar |
| 19 | 18.340.74 | Valve assembly Geneva 50mbar | Ventilsatz Geneva 50mbar |
| 20 | 18.340.58 | Venturi protection DB small | Venturischutz DB klein |
| 21 | 18.340.57 | Venturi protection DB & SB | Venturischutz DB & SB |
| 22 | 18.340.63 | Pulse ignitor DB Geneva | Elektro-Zündung DB Geneva |
| 23 | 18.340.02 | Burner small 30mbar | Brenner klein 30mbar |
| 23 | 18.340.45 | Burner small 50mbar | Brenner klein 50mbar |
| 24 | 18.340.68 | Burner large 30mbar | Grosser Brenner 30mbar |
| 24 | 18.340.67 | Burner large 50mbar | Grosser Brenner 50mbar |
| 25 | 18.340.12 | Ignition wire | Zündungskabel |
| 26 | 18.340.64 | Ignition wire distributor | Zündungskabel Verteiler |
| 27 | 18.340.65 | Ignition ground wire | Zündungskabel Erdung |
| 28 | 18.340.11 | Piezo electrode large burner | Piezo-Elektrode grosser Brenner |
| 29 | 18.340.10 | Piezo electrode small burner | Piezo-Elektrode kleiner Brenner |
| 30 | 18.323.04 | Drip pan | Fettauffangschale |
| 31 | 18.323.05 | Drip pan carrier | Fettauffangschale Halterung |
| 32 | 18.323.85 | Stainless steel column | Edelstahlsäule |
| 33 | 18.323.86 | Bottom plate | Bodenplatte |
| 34 | 18.360.51 | Caster with brake | Lenkrolle mit Bremse |
| 35 | 18.360.50 | Caster without brake | Lenkrolle ohne Bremse |
| 36 | 18.360.52 | Protective ring gas hose opening | Schutzring Gasschlauchöffnung |
| 37 | 18.323.38 | Sidetablecarrier left front & right back | Seitentablarhalterung vo. li. & hi. re. |
| 38 | 18.323.39 | Sidetablecarrier right front & left back | Seitentablarhalterung vo. re. & hi. li. |
| 39 | 18.323.42 | Brace carrier | Halterungsstrebe li. & re. |
| 40 | 18.323.40 | Side table right & left | Seitentablar rechts und links |
| 41 | 18.323.35 | Gas hose hook | Gasschlauch-Haken |
| 42 | 18.360.86 | Protection pin | Schutzstift |
| | 18.379.15 | Hardware Set | Schrauben Set |
| 43 | individual | Gas hose | Gasschlauch |
| 44 | individual | Gas regulator | Gasdruckregler |

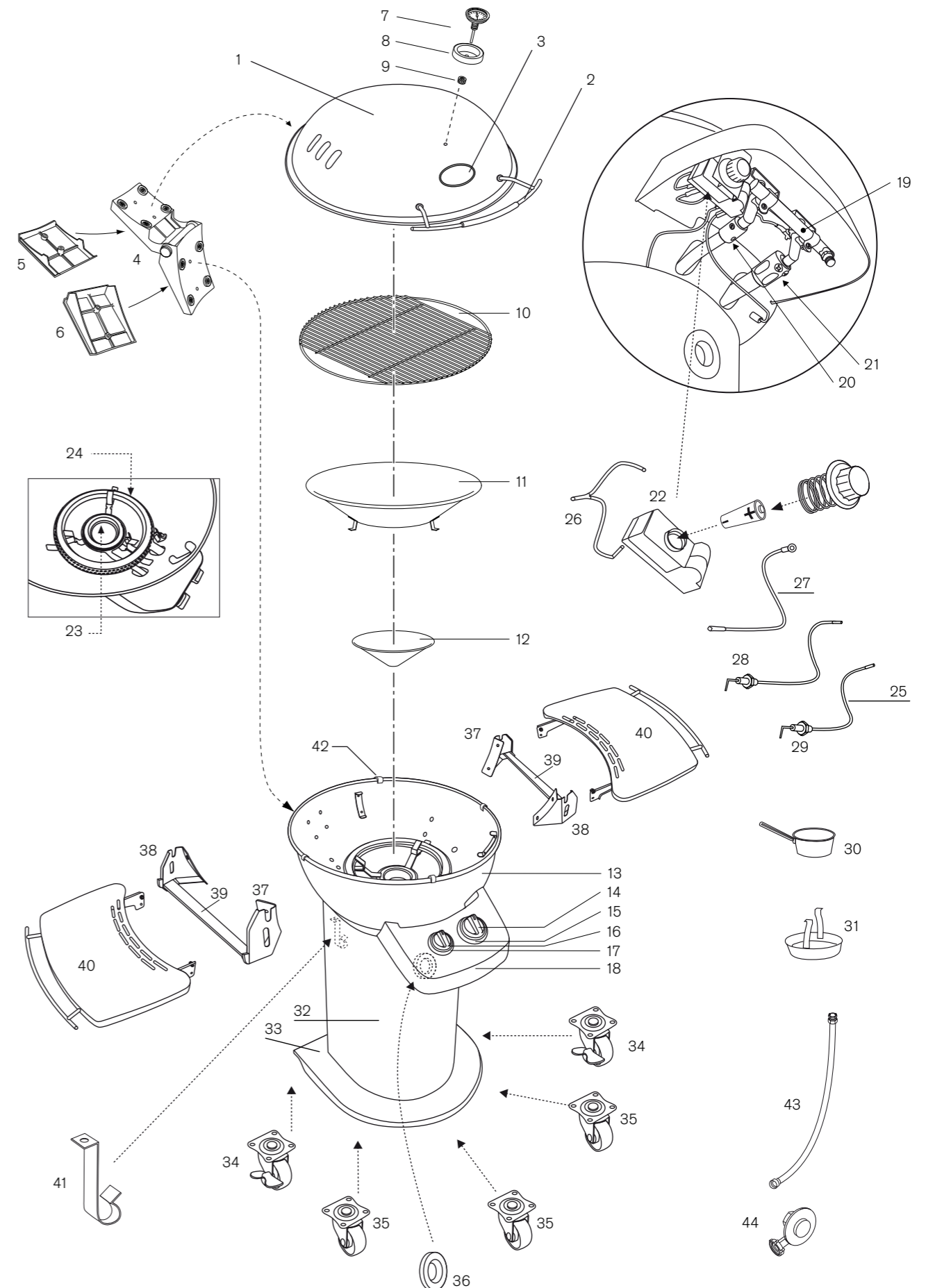
Attention

Please write your serial number on the backside of the manual for future reference. You will find the number on the data plate attached to the trolley or the bottom plate depending on the grill model. OUTDOORCHEF can only supply spare parts and honour warranty returns when the serial number is available.

Achtung

Bitte notieren Sie auf der Rückseite Ihrer Gebrauchsanweisung die Serien-Nummer. Je nach Grillmodell finden Sie die Nummer auf dem Datensticker, welcher sich entweder am Grillgestell oder auf der Bodenplatte befindet. OUTDOORCHEF kann Garantie und Ersatzteillieferungen nur mit der Serien-Nummer bearbeiten.

OUTDOORCHEF AG operates a policy of continuous product development and improvement. As such we reserve the right to alter product design and or technical specification without giving any prior notice.



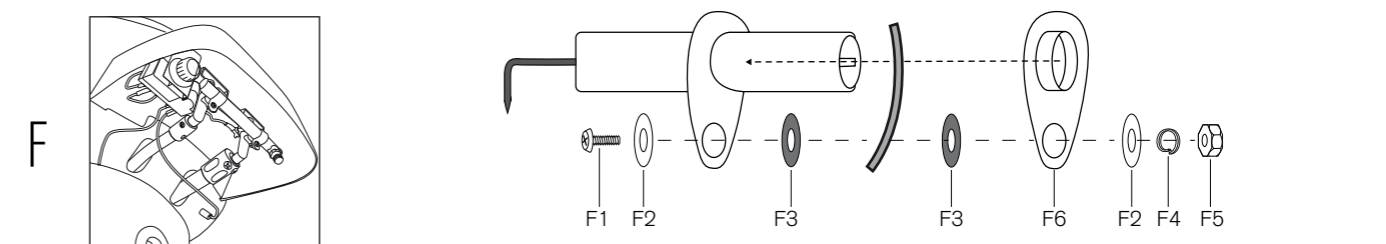
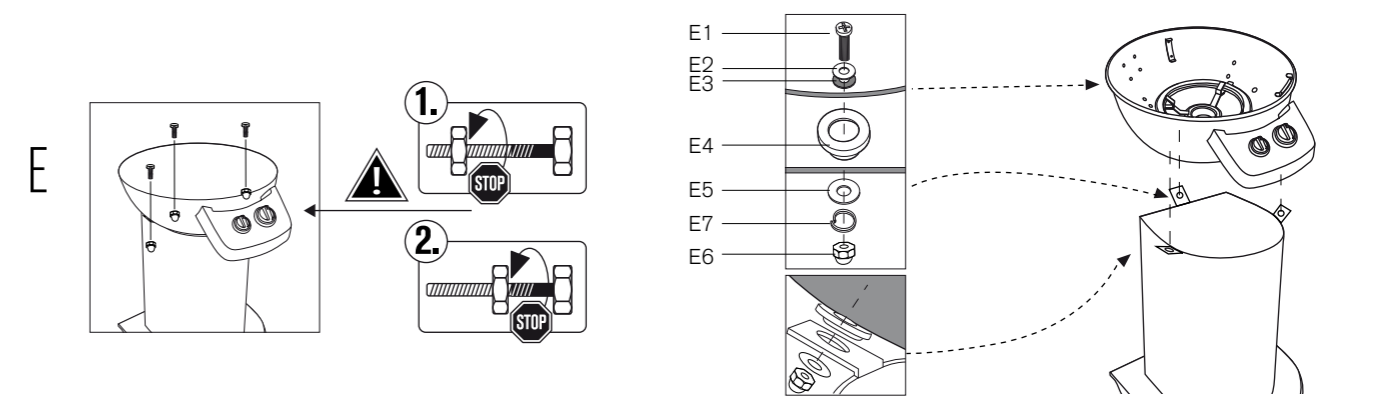
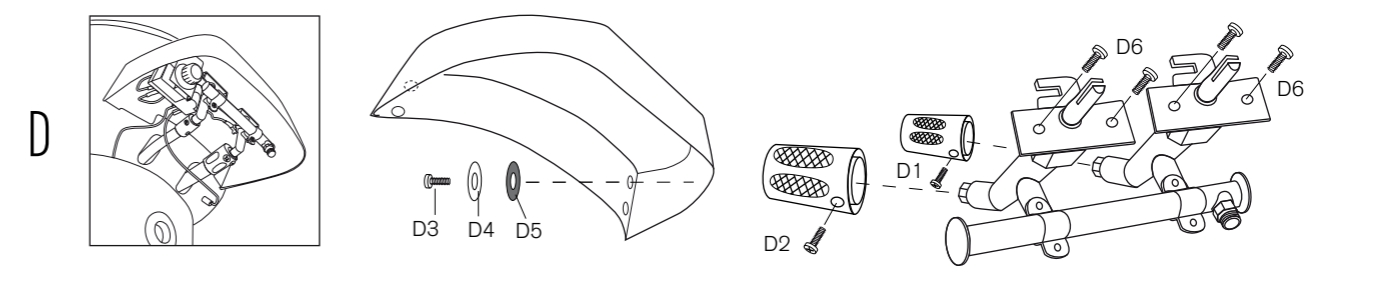
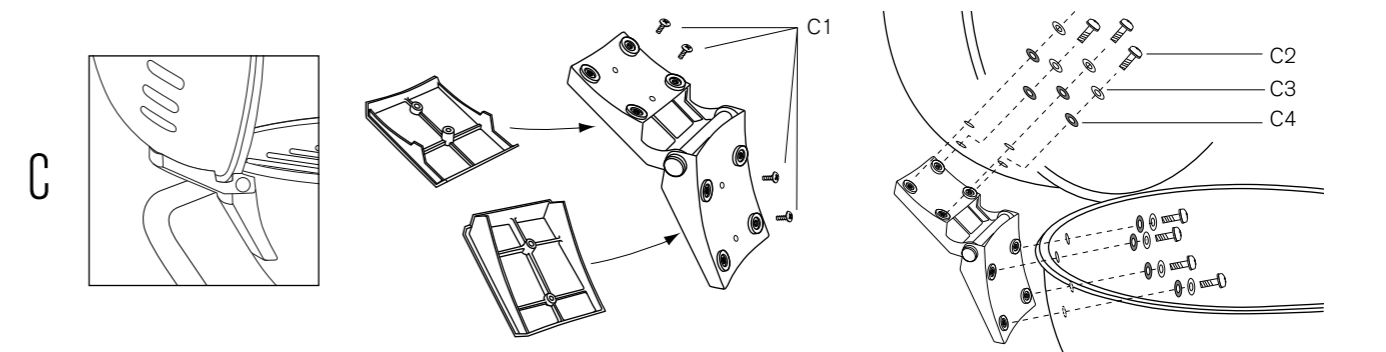
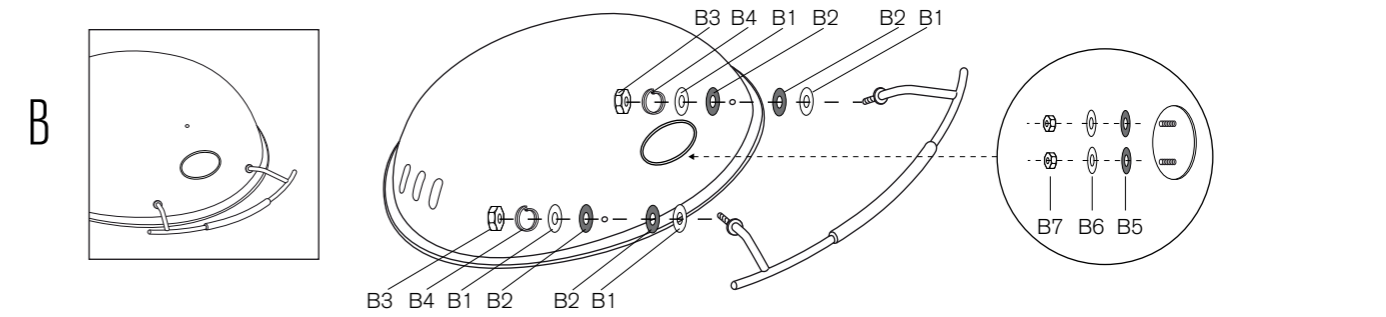
| B | | | |
|------|-----------|--------------|------------------|
| Pos. | Art. Nr. | Description | Beschreibung |
| | | Lid | Deckel |
| B1 | 18.371.16 | Washer | U-scheibe |
| B2 | 18.371.17 | Teflonwasher | U-Scheibe Teflon |
| B3 | 18.371.18 | Nut | Mutter |
| B4 | 18.371.21 | Springwasher | Federring |
| B5 | 18.371.03 | Teflonwasher | U-Scheibe Teflon |
| B6 | 18.371.02 | Washer | U-Scheibe |
| B7 | 18.370.48 | Nut | Mutter |

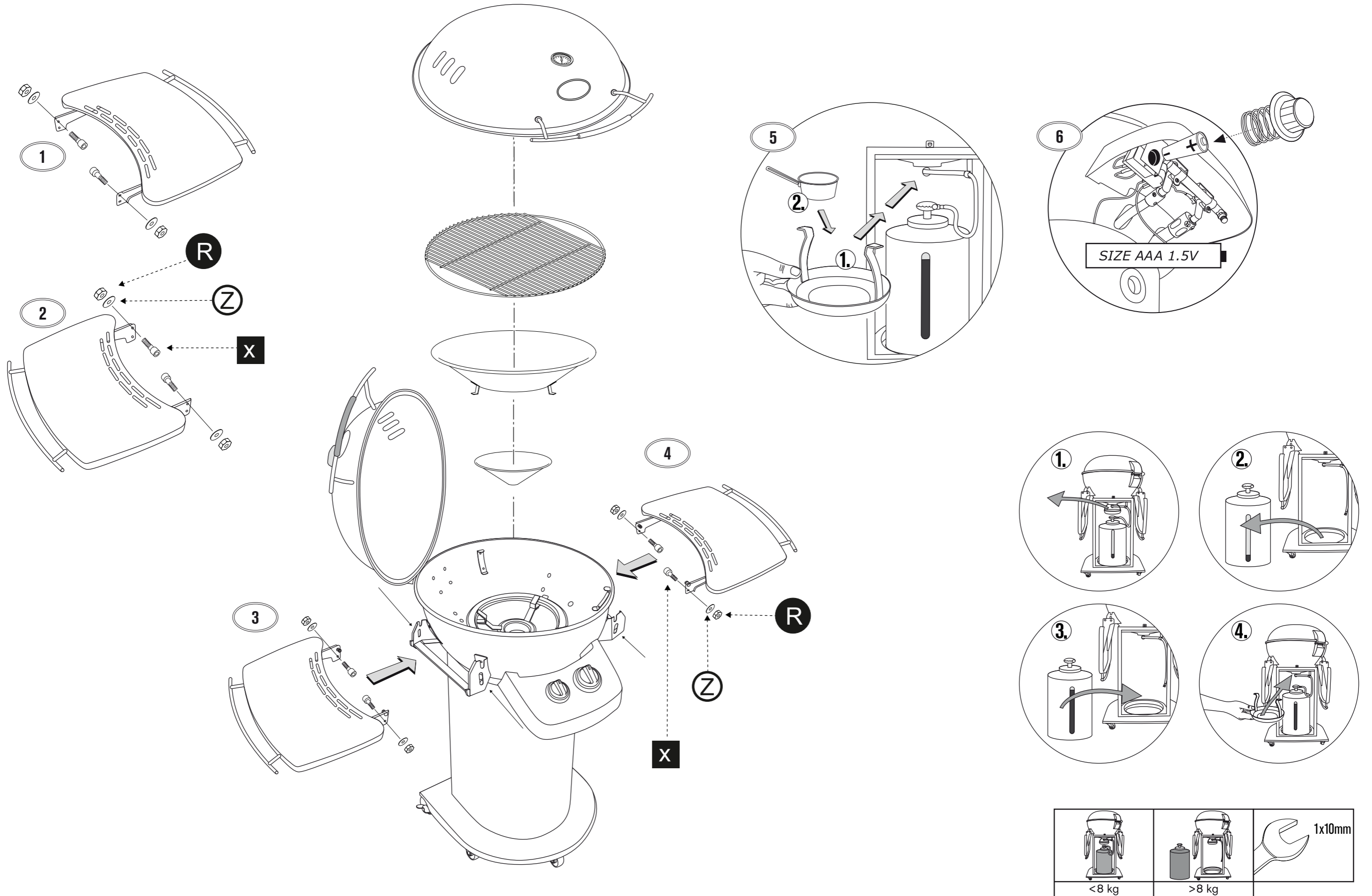
| C | | | |
|------|-----------|-----------------------|-------------------------------------|
| Pos. | Art. Nr. | Description | Beschreibung |
| | | Lid Hinge | Deckelscharnier |
| C1 | 18.370.31 | Lid hinge cover screw | Deckelscharnier-Abdeckungsschrauben |
| C2 | 18.370.25 | Screw | Schraube |
| C3 | 18.370.62 | Washer | U-Scheibe |
| C4 | 18.370.76 | Teflonwasher | U-Scheibe Teflon |

| D | | | |
|------|-----------|------------------------|----------------------|
| Pos. | Art. Nr. | Description | Beschreibung |
| | | Valve assembly & Panel | Ventilsatz & Konsole |
| D1 | 18.370.05 | Screw | Schraube |
| D2 | 18.370.27 | Screw | Schraube |
| D3 | 18.371.01 | Screw | Schraube |
| D4 | 18.371.02 | Washer | U-Scheibe |
| D5 | 18.371.03 | Teflonwasher | U-Scheibe Teflon |
| D6 | 18.371.00 | Screw | Schraube |

| E | | | |
|------|-----------|------------------------|------------------------------|
| Pos. | Art. Nr. | Description | Beschreibung |
| | | Bowl | Kugel |
| E1 | 18.370.09 | Screw | Schraube |
| E2 | 18.371.16 | Washer | U-Scheibe |
| E3 | 18.371.17 | Teflonwasher | U-Scheibe Teflon |
| E4 | 18.370.91 | Protection washer bowl | Schutz-Unterlagscheibe Kugel |
| E5 | 18.370.68 | Washer | U-Scheibe |
| E6 | 18.371.19 | Dome nut | Hutmutter |
| E7 | 18.371.21 | Springwasher | Federring |

| F | | | |
|------|-----------|------------------------|---------------------------|
| Pos. | Art. Nr. | Description | Beschreibung |
| | | Piezo electrode | Piezo-Elektrode |
| F1 | 18.371.01 | Screw | Schraube |
| F2 | 18.371.02 | Washer | U-Scheibe |
| F3 | 18.371.03 | Teflonwasher | U-Scheibe Teflon |
| F4 | 18.371.04 | Spring washer | Federring |
| F5 | 18.370.48 | Nut | Mutter |
| F6 | 18.371.11 | Holder piezo electrode | Halterung Piezo Elektrode |

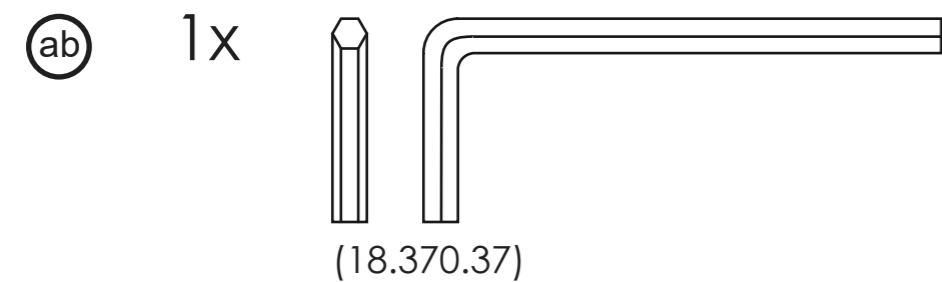
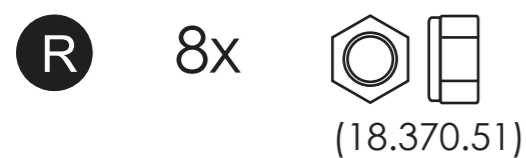
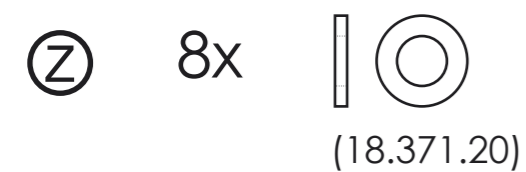




GENEVA 570G



18.379.15



GENEVA 570G



to take notes
