

**BARBECUES :
1 SERIES COMPACT
EX CV / LX R**

CAMPINGAZ®



1 SERIES COMPACT EX CV

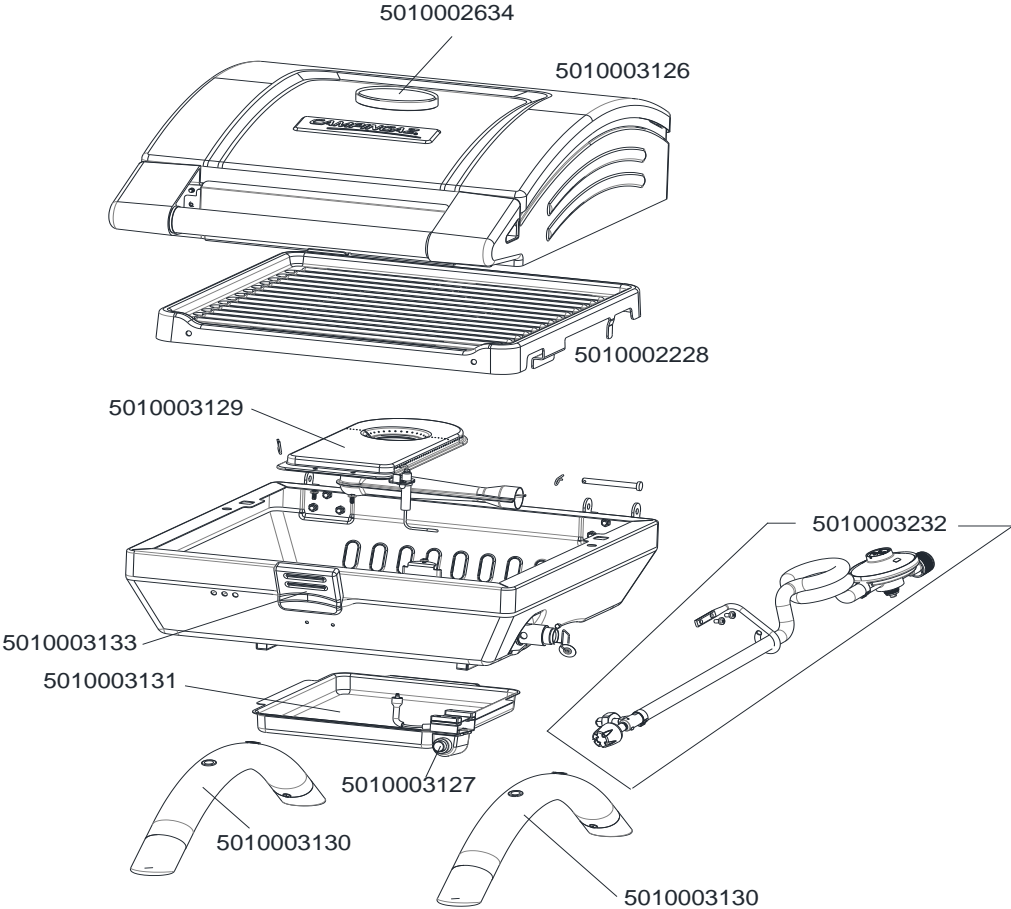
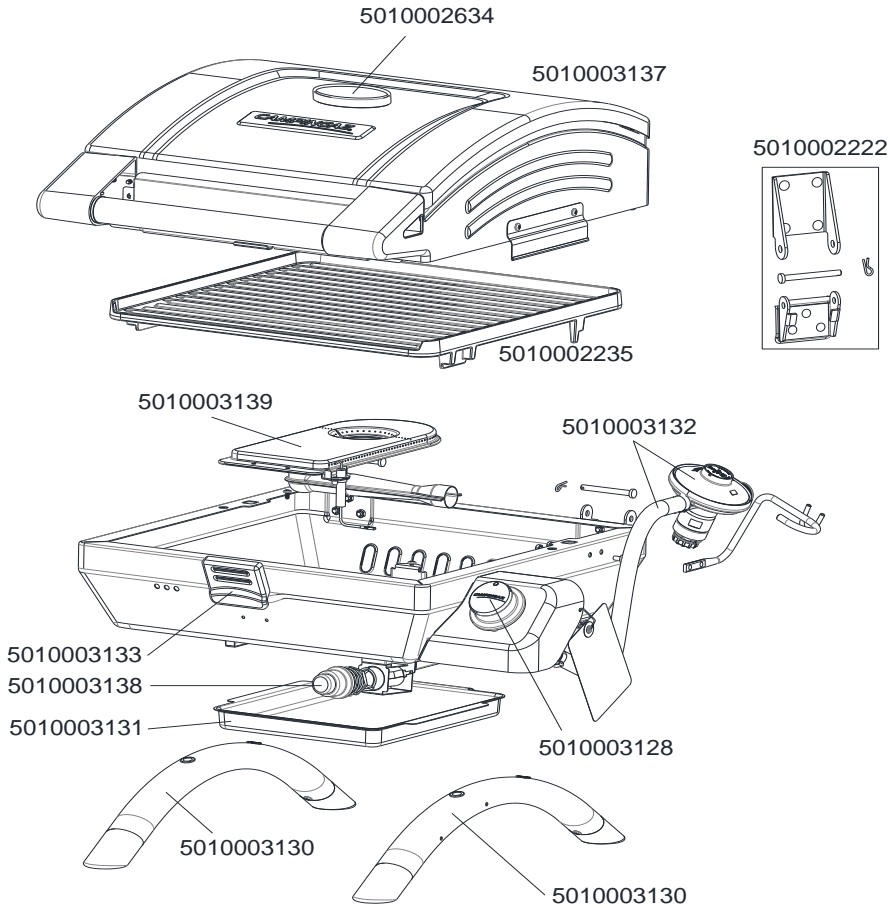


1 SERIES COMPACT LX R

**BARBECUES :
1 SERIES COMPACT
EX CV / LX R**

1 SERIES COMPACT EX CV

1 SERIES COMPACT LX R



**BARBECUES :
1 SERIES COMPACT
EX CV / LX R**

| SPARE PARTS REF. | POINTS | EN DESCRIPTIONS | FR DESCRIPTIONS | EX CV | LX R |
|------------------|--------|----------------------------------|--|-------|------|
| 5010002222 | 30 | HINGES KIT | KIT CHARNIERES | X | X |
| 5010002228 | 160 | ENAMELLED STEEL GRID | GRILLE ACIER EMAILLE | | X |
| 5010002235 | 200 | ENAMELLED CAST IRON GRID | GRILLE FONTE EMAILLEE | X | |
| 5010002634 | 50 | THERMOMETER | THERMOMETRE | X | X |
| 5010003126 | 430 | LID (GREY BLUE) WITH THERMOMETER | COUVERCLE (GRIS BLEU) AVEC THERMOMETRE | | X |
| 5010003127 | 90 | PIEZO ASSY | ASSEMBLAGE PIEZO | | X |
| 5010003128 | 40 | KNOB | VOLANT | X | |
| 5010003129 | 150 | BURNER WITH ELECTRODE | BRULEUR AVEC ELECTRODE | | X |
| 5010003130 | 90 | LEG WITH PLASTIC FEET | PIED AVEC EMBOUTS EN PLASTIQUE | X | X |
| 5010003131 | 50 | GREASE TRAY | PLATEAU RAMASSE GRAISSE | X | X |
| 5010003132 | 190 | HOSE + REGULATOR + VALVE | TUYAU + DETENDEUR + ROBINET | X | |
| 5010003133 | 60 | LATCH | VERROU | X | X |
| 5010003137 | 430 | LID (BLACK) WITH THERMOMETER | COUVERCLE (NOIR) AVEC THERMOMETRE | X | |
| 5010003138 | 150 | ELECTRONIC IGNITOR | ALLUMEUR ELECTRONIQUE | X | |
| 5010003139 | 150 | BURNER WITH ELECTRODE | BRULEUR AVEC ELECTRODE | X | |
| 5010003232 | 300 | HOSE + REGULATOR | TUYAU + DETENDEUR | | X |