

**BARBECUES : 4 SERIES CLASSIC
L - CLASS 4 L - L PLUS
CLASS 4L PLUS - LS - LS PLUS
LXS - CAST IRON EXS - EXS - WLD**



**4 SERIES CLASSIC L
CLASS 4L**



**4 SERIES CLASSIC L PLUS
CLASS 4 L PLUS**



**4 SERIES
CLASSIC LS
CLASSIC LS PLUS**



4 SERIES CLASSIC LXS



4 SERIES CAST IRON EXS

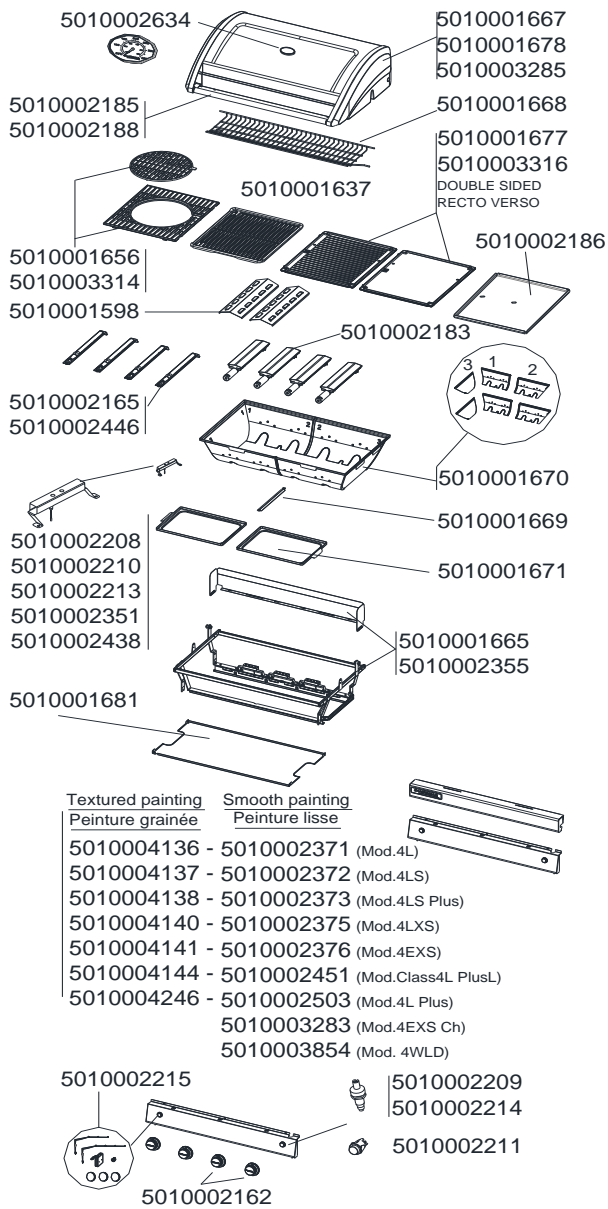


**4 SERIES CLASSIC
EXS**



4 SERIES CLASSIC WLD

BARBECUES : 4 SERIES CLASSIC
L - CLASS 4 L - L PLUS
CLASS 4L PLUS - LS - LS PLUS
LXS - CAST IRON EXS - EXS - WLD



Textured painting
 Peinture grainée

Smooth painting
 Peinture lisse

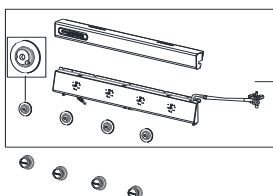
Jet / Injecteur
 5010002164 (28Mb)
 5010002448 (50Mb)



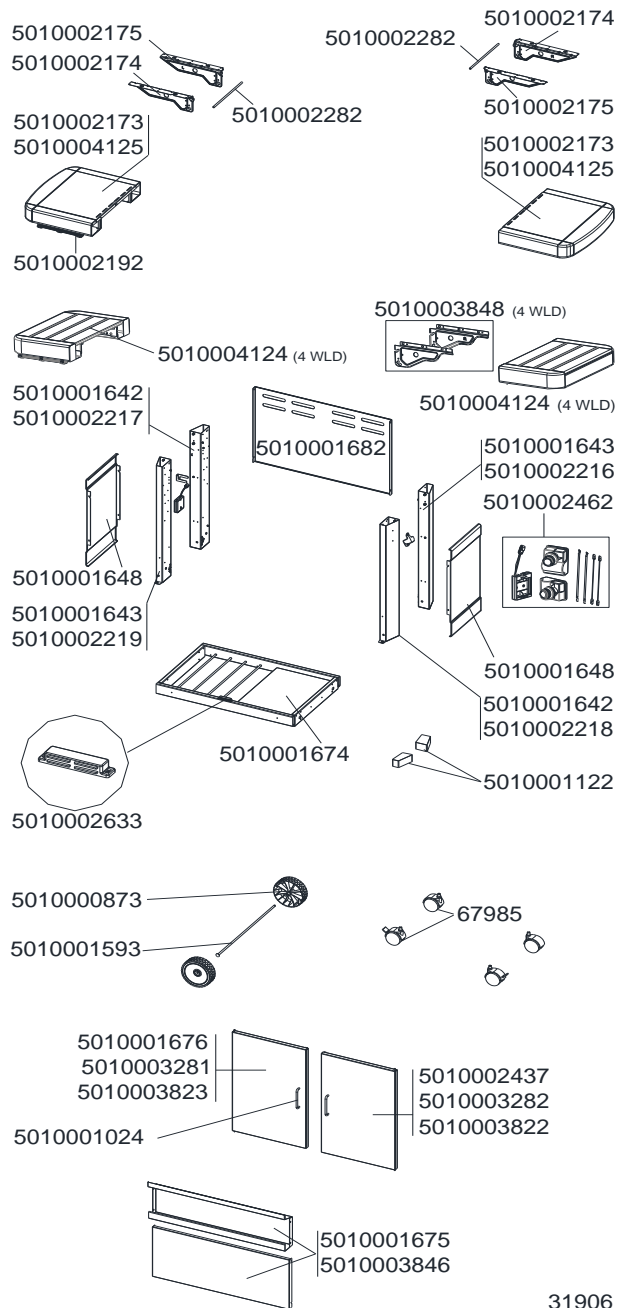
- 5010002184 (Exp.)
- 5010002442 (De)
- 5010002444 (Fr)
- 5010002187 (Stove / Réchaud lat. Exp.)
- 5010002443 (Stove / Réchaud lat. De)
- 5010002445 (Stove / Réchaud lat. Fr)
- 5010003284 (Stove / Réchaud lat. Ch)

MOD. EXS 2016 WITH AUTO-IGNITION
AVEC ALLUMAGE AUTOMATIQUE

Control panels + backlighting + auto-ignition + gas pipe
 Panneaux de contrôle + retro-éclairage + allumage automatique + tubulure



- 5010003833 (4 EXS Exp.)
- 5010003834 (4 EXS De)
- 5010003835 (4 EXS Ch)



Screw Bag
Sachet de vis
 5010003148



Accessory bag
Sachet accessoires
 5010002171



Accessory Bag
Sachet Accessoires
 5010001653

FOR SIDE STOVE,
CF. SPECIFIC SCHEME
POUR RECHAUD LATÉRAL,
VOIR ECLATE SPECIFIQUE

BARBECUES : 4 SERIES CLASSIC
L - CLASS 4 L - L PLUS
CLASS 4L PLUS - LS - LS PLUS
LXS - CAST IRON EXS - EXS - WLD

SPARE PARTS REF.	POINTS	EN DESCRIPTIONS	FR DESCRIPTIONS	4 SERIES CLASSIC L / CLASS 4L	4 SERIES CLASSIC L PLUS CLASS 4 L PLUS	4 SERIES CLASSIC LS 4 SERIES CLASSIC LS PLUS	4 SERIES CLASSIC LXS	4 SERIES CAST IRON EXS	4 SERIES CLASSIC EXS	4 SERIES CLASSIC WLD
31906	30	CYLINDER STRAP	SANGLE BOUTEILLE	X	X	X	X	X	X	X
67985	90	SET OF WHEELS (x2)	ENSEMBLE ROUES (x2)		X	X	X	X	X	
5010000873	50	WHEEL	ROUE	X						X
5010001024	40	HANDLE / USTENSIL HOLDER	POIGNEE / PORTE USTENSILE		X	X	X	X	X	
5010001122	50	FRONT AND REAR PLASTIC FEET	PIEDS PLASTIQUE AVANT ET ARRIERE	X						X
5010001593	30	WHEEL AXLE	AXE DE ROUE	X						X
5010001598	50	HEAT DIFFUSER (x1)	DIFFUSEUR DE CHALEUR (x1)	X	X	X	X	X	X	X
5010001637	140	STEEL COOKING GRID - SHINY	GRILLE DE CUISSON ACIER - BRILLANTE	X		X				X
5010001642	100	CARRIAGE LEGS: FRONT RIGHT NR.4 OR REAR LEFT NR.2	PIED CHARIOT : AVANT DROITE N.4 OU ARRIERE GAUCHE N.2	X						X
5010001643	100	CARRIAGE LEGS: FRONT LEFT NR.1 OR REAR RIGHT NR.3	PIED CHARIOT : AVANT GAUCHE N.1 OU ARRIERE DROIT N.3	X						X
5010001648	60	LEFT OR RIGHT SIDE PANEL (DARK GREY)	PANNEAU LATERAL GAUCHE OU DROITE (GRIS FONCE)		X	X	X	X	X	X
5010001653	90	ACCESSORY BAG	SACHET ACCESSOIRES	X	X	X	X	X	X	X
5010001656	270	CAST IRON GRID (FRAME + CIRCLE) - SHINY	GRILLE DE CUISSON FONTE (CADRE + CERCLE) - BRILLANTE		X	X	X	X	X	
5010001665	260	BASE FRAME + WINDSHIELD	CADRE SUPPORT DE CUVE + PAREVENT	X	X		X	X	X	X
5010001667	570	LID (WITH THERMOMETER)	COUVERCLE (AVEC THERMOMETRE)	X	X	X				X
5010001668	120	WARMING GRID	GRILLE DE MIJOTAGE	X	X	X	X	X	X	X
5010001669	20	GREASE DRAWER TENT	TENTE TIROIR RAMASSE GRAISSE	X	X	X	X	X	X	X
5010001670	180	BASE (PART 1-2-3)	CUVE (PARTIE 1-2-3)	X	X	X	X	X	X	X
5010001671	50	GREASE PLATE	PLATEAU RAMASSE GRAISSE	X	X	X	X	X	X	X
5010001674	240	CHASSIS	CHASSIS	X	X	X	X	X	X	X
5010001675	170	FRONT SHEET (TOP + BOTTOM)	JUPE TOLE (HAUT + BAS)	X						
5010001676	160	LEFT DOOR (MODEL BEFORE 2016)	PORTE GAUCHE (MODELE AVANT 2016)		X	X	X	X		
5010001677	320	CAST IRON GRIDDLE - SHINY	PLAQUE DE CUISSON FONTE - BRILLANTE		X	X	X	X	X	X
5010001678	650	LIGHT GREY LID - WITH THERMOMETER	COUVERCLE GRIS CLAIR - AVEC THERMOMETRE				X	X	X	
5010001681	60	HEAT SHIELD	PARE CHALEUR				X	X	X	
5010001682	110	REAR PANEL	PANNEAU ARRIERE				X	X	X	
5010002162	70	KNOB (x2)	VOLANTS (x2)	X	X	X	X	X	X	X
5010002164	30	JET (28 MBAR)	INJECTEUR (28 MBAR)				X		X	X
5010002165	120	STAINLESS STEEL BURNER 28Mb	BRULEUR INOX 28Mb	X	X	X	X		X	X
5010002171	60	THERMOMETER + ACCESSORIES	THERMOMETRE + ACCESSOIRES	X	X	X	X	X	X	X
5010002173	250	LEFT OR RIGHT SIDE TABLE - SMOOTH DARK GREY	ETAGERE GAUCHE OU DROITE - LISSE GRIS FONCE	X	X	X	X	X		
5010002174	60	RIGHT SIDE SHELF SUPPORT	SUPPORT DROIT ETAGERE	X	X	X	X	X	X	
5010002175	60	LEFT SIDE SHELF SUPPORT	SUPPORT GAUCHE ETAGERE	X	X	X	X	X	X	
5010002183	120	CAST IRON BURNER 28Mb	BRULEUR FONTE 28Mb					X		
5010002184	200	GAS PIPE 28Mb - EXPORT	TUBULURE 28Mb - EXPORT	X						
5010002185	50	HANDLE + INSULATING + ENDS	POIGNEE + ISOLANT + EMBOUTS	X	X	X			X	X

**BARBECUES : 4 SERIES CLASSIC
L - CLASS 4 L - L PLUS
CLASS 4L PLUS - LS - LS PLUS
LXS - CAST IRON EXS - EXS - WLD**

SPARE PARTS REF.	POINTS	EN DESCRIPTIONS	FR DESCRIPTIONS	4 SERIES CLASSIC L / CLASS 4L	4 SERIES CLASSIC L PLUS CLASS 4 L PLUS	4 SERIES CLASSIC LS 4 SERIES CLASSIC LS PLUS	4 SERIES CLASSIC LXS	4 SERIES CAST IRON EXS	4 SERIES CLASSIC EXS	4 SERIES CLASSIC WLD
5010002186	250	THICK STEEL ENAMELLED GRIDDLE - SHINY	PLAQUE DE CUISSON ACIER EMAIL EPAISSE - BRILLANTE	X		X				
5010002187	240	STOVE GAS PIPE 28Mb - EXPORT	TUBULURE RECHAUD 28Mb - EXPORT			X	X	X		
5010002188	60	HANDLE + INSULATING + ENDS	POIGNEE + ISOLANT + EMBOUTS				X	X		
5010002192	40	USTENSIL HOOK	PORTE USTENSILES	X	X	X	X	X	X	X
5010002208	60	ELECTRODE + HOUSING (FOR STEEL BURNER) - SHORT WIRE (ROUND CONNECTOR)	ELECTRODE + SUPPORT (POUR BRULEUR ACIER) - FIL COURT (CONNECTEUR ROND)	X	X	X				X
5010002209	70	PIEZO DOUBLE	PIEZO DOUBLE	X	X	X				X
5010002210	60	ELECTRODE + HOUSING (FOR STEEL BURNER) - LONG WIRE (FLAT CONNECTOR)	ELECTRODE + SUPPORT (POUR BRULEUR ACIER) - FIL LONG (CONNECTEUR PLAT)	X	X	X	X		X	X
5010002211	40	PUSH BUTTON ELECTRONIC IGNITOR	BOUTTON POUSSOIR TRAIN D'ETINCELLES				X	X		
5010002213	60	ELECTRODE + HOUSING (FOR CAST IRON BURNER) - LONG WIRE (ROUND CONNECTOR)	ELECTRODE + SUPPORT (POUR BRULEUR FONTE) - FIL LONG (CONNECTEUR ROND)					X		
5010002214	80	PIEZO 1 OUTLET	PIEZO SIMPLE			X				
5010002215	220	BACKLIGHTING SYSTEM	SYSTEME RETRO-ECLAIRAGE					X		
5010002216	130	REAR RIGHT LEG NR.3	PIED ARRIERE DROIT N.3		X	X	X	X	X	
5010002217	130	REAR LEFT LEG NR.2	PIED ARRIERE GAUCHE N.2		X	X	X	X	X	
5010002218	130	FRONT RIGHT LEG NR.4	PIED AVANT DROIT N.4		X	X	X	X	X	
5010002219	130	FRONT LEFT LEG NR.1	PIED AVANT GAUCHE N.1		X	X	X	X	X	
5010002282	30	REINFORCEMENT WIRE SIDE SHELF	FIL RENFORT ETAGERE	X	X	X	X	X	X	
5010002351	50	ELECTRODE + HOUSING (FOR STEEL BURNER) - SHORT WIRE (FLAT CONNECTOR)	ELECTRODE + SUPPORT (POUR BRULEUR ACIER) - FIL COURT (CONNECTEUR PLAT)				X		X	
5010002355	230	BASE FRAME + WINDSHIELD	CADRE SUPPORT DE CUVE + PAREVENT			X				
5010002371	140	TOP + BOTTOM CONTROL PANELS - SMOOTH DARK GREY (MOD.4 L)	CONSOLES HAUT + BAS - LISSE GRIS FONCE (MOD.4 L)	X						
5010002372	140	TOP + BOTTOM CONTROL PANELS - SMOOTH DARK GREY (MOD.4 LS)	CONSOLES HAUT + BAS - LISSE GRIS FONCE (MOD.4 LS)			X				
5010002373	140	TOP + BOTTOM CONTROL PANELS - SMOOTH DARK GREY (MOD.4 LS PLUS)	CONSOLES HAUT + BAS - LISSE GRIS FONCE (MOD.4 LS PLUS)			X				
5010002375	210	TOP + BOTTOM CONTROL PANELS - SMOOTH DARK GREY (MOD.4 LXS)	CONSOLES HAUT + BAS - LISSE GRIS FONCE (MOD.4 LXS)				X			
5010002376	210	TOP + BOTTOM CONTROL PANELS - SMOOTH DARK GREY (MOD.4 EXS)	CONSOLES HAUT + BAS - LISSE GRIS FONCE (MOD.4 EXS)					X		
5010002437	160	RIGHT DOOR (MODEL BEFORE 2016)	PORTE DROITE (MODELE AVANT 2016)		X	X	X	X		
5010002438	50	ELECTRODE + HOUSING (FOR CAST IRON BURNER) - SHORT WIRE (ROUND)	ELECTRODE + SUPPORT (POUR BRULEUR FONTE) - FIL COURT (CONNECTEUR ROND)					X		

BARBECUES : 4 SERIES CLASSIC
L - CLASS 4 L - L PLUS
CLASS 4L PLUS - LS - LS PLUS
LXS - CAST IRON EXS - EXS - WLD

SPARE PARTS REF.	POINTS	EN DESCRIPTIONS	FR DESCRIPTIONS	4 SERIES CLASSIC L / CLASS 4L	4 SERIES CLASSIC L PLUS CLASS 4 L PLUS	4 SERIES CLASSIC LS	4 SERIES CLASSIC LS PLUS	4 SERIES CLASSIC LXS	4 SERIES CAST IRON EXS	4 SERIES CLASSIC EXS	4 SERIES CLASSIC WLD
5010002442	300	GAS PIPE 50Mb - 1/4" (De)	TUBULURE 50Mb - 1/4" (De)	X	X						
5010002443	300	STOVE PIPE 50Mb - 1/4" (De)	TUBULURE RECHAUD 50Mb - 1/4" (De)	X		X			X		
5010002444	270	GAS PIPE 28Mb - 1/2" (Fr)	TUBULURE 28Mb - 1/2" (Fr)	X	X						X
5010002445	300	STOVE PIPE 28Mb - 1/2" (Fr)	TUBULURE RECHAUD 28Mb - 1/2" (Fr)					X			
5010002446	110	STAINLESS STEEL BURNER 50Mb	BRULEUR INOX 50Mb	X	X	X		X		X	X
5010002447	110	CAST IRON BURNER 50Mb	BRULEUR FONTE 50Mb						X		
5010002448	20	JET	INJECTEUR		X	X		X	X	X	
5010002451	130	TOP + BOTTOM CONTROL PANELS - SMOOTH DARK GREY (MOD.CLASS 4 L PLUS)	CONSOLES HAUT + BAS - LISSE GRIS FONCE (MOD.CLASS 4 L PLUS)		X						
5010002462	140	ELECTRONIC IGNITION SET (2/4 OUTLETS)	KIT ALLUMAGE ELECTRONIQUE (2/4 SORTIES)					X	X	X	
5010002503	130	TOP + BOTTOM CONTROL PANELS - SMOOTH DARK GREY (MOD.4 L PLUS)	CONSOLES HAUT + BAS - LISSE GRIS FONCE (MOD.4 L PLUS)		X						
5010002633	50	MAGNETS (X2)	AIMANTS (X2)	X	X	X		X	X	X	
5010002634	50	THERMOMETER	THERMOMETRE	X	X	X		X	X	X	X
5010003148	60	SCREW BAG	SACHET DE VIS	X	X	X		X	X	X	X
5010003281	160	LEFT DOOR (DARK GREY)	PORTE GAUCHE (GRIS FONCE)					X		X	
5010003282	160	RIGHT DOOR (DARK GREY)	PORTE DROITE (GRIS FONCE)					X		X	
5010003283	110	TOP + BOTTOM CONTROL PANELS (MOD.4 EXS CH)	CONSOLES HAUT + BAS (MOD.4 EXS CH)							X	
5010003284	270	STOVE PIPE 28Mb - 1/4" (CH)	TUBULURE RECHAUD 28Mb - 1/4" (CH)							X	
5010003285	550	BLACK ENAMELLED LID - WITHOUT THERMOMETER (De Ch)	COUVERCLE EMAILLE NOIR - SANS THERMOMETRE (De Ch)					X		X	
5010003314	220	CAST IRON GRID (FRAME + CIRCLE) - MATTE	GRILLE DE CUISSON FONTE (CADRE + CERCLE) - MATE		X	X		X	X	X	X
5010003316	260	ENAMELLED CAST IRON GRIDDLE - MATTE	PLAQUE DE CUISSON FONTE EMAILLEE - MATE		X	X		X	X	X	X
5010003822	140	RIGHT DOOR WITH HANDLE (LIGHT GREY)	PORTE DROITE AVEC POIGNEE (GRIS CLAIR)		X	X		X	X	X	
5010003823	120	LEFT DOOR WITH HANDLE (LIGHT GREY)	PORTE GAUCHE AVEC POIGNEE (GRIS CLAIR)		X	X		X	X	X	
5010003833	750	CONTROL PANELS + LIGHTING + AUTO IGNITION + STOVE PIPE 28MB (EXPORT)	CONSOLES + ECLAIRAGE + ALLUMAGE AUTO + TUBULURE RECHAUD 28MB (EXPORT)							X	
5010003834	600	CONTROL PANELS + LIGHTING + AUTO IGNITION + STOVE PIPE 50MB - 1/4" (De)	CONSOLES + ECLAIRAGE + ALLUMAGE AUTO + TUBULURE RECHAUD 50MB - 1/4" (De)							X	
5010003835	600	CONTROL PANELS + LIGHTING + AUTO IGNITION + STOVE PIPE 28MB - 1/4" (Ch)	CONSOLES + ECLAIRAGE + ALLUMAGE AUTO + TUBULURE RECHAUD 28MB - 1/4" (Ch)							X	
5010003846	160	FRONT SHEETS (TOP + BOTTOM) - DARK GREY	JUPES TOLE (HAUT + BAS) - GRIS FONCE								X
5010003848	70	RIGHT AND LEFT SIDE SHELF SUPPORTS	SUPPORTS (DROIT ET GAUCHE) ETAGERE								X

BARBECUES : 4 SERIES CLASSIC
L - CLASS 4 L - L PLUS
CLASS 4L PLUS - LS - LS PLUS
LXS - CAST IRON EXS - EXS - WLD

SPARE PARTS REF.	POINTS	EN DESCRIPTIONS	FR DESCRIPTIONS	4 SERIES CLASSIC L / CLASS 4L	4 SERIES CLASSIC L PLUS CLASS 4 L PLUS	4 SERIES CLASSIC LS	4 SERIES CLASSIC LS PLUS	4 SERIES CLASSIC LXS	4 SERIES CAST IRON EXS	4 SERIES CLASSIC EXS	4 SERIES CLASSIC WLD
5010003854	180	TOP + BOTTOM CONTROL PANELS	CONSOLES HAUT + BAS								X
5010004124	220	LEFT OR RIGHT WOODY SIDE TABLE - TEXTURED DARK GREY	ETAGERE BOIS GAUCHE OU DROITE - GRAINE GRIS FONCE								X
5010004125	190	LEFT OR RIGHT SIDE TABLE - TEXTURED DARK GREY	ETAGERE GAUCHE OU DROITE - GRAINE GRIS FONCE	X	X	X	X	X	X	X	
5010004136	130	TOP + BOTTOM CONTROL PANELS - TEXTURED DARK GREY (MOD.4 L)	CONSOLES HAUT + BAS - GRAINE GRIS FONCE (MOD.4 L)	X							
5010004137	130	TOP + BOTTOM CONTROL PANELS - TEXTURED DARK GREY (MOD.4 LS)	CONSOLES HAUT + BAS - GRAINE GRIS FONCE (MOD.4 LS)			X					
5010004138	130	TOP + BOTTOM CONTROL PANELS - TEXTURED DARK GREY (MOD.4 LS PLUS)	CONSOLES HAUT + BAS - GRAINE GRIS FONCE (MOD.4 LS PLUS)			X					
5010004140	180	TOP + BOTTOM CONTROL PANELS - TEXTURED DARK GREY (MOD.4 LXS)	CONSOLES HAUT + BAS - GRAINE GRIS FONCE (MOD.4 LXS)					X			
5010004141	180	TOP + BOTTOM CONTROL PANELS - TEXTURED DARK GREY (MOD.4 EXS)	CONSOLES HAUT + BAS - GRAINE GRIS FONCE (MOD.4 EXS)						X		
5010004144	130	TOP + BOTTOM CONTROL PANELS - TEXTURED DARK GREY (MOD.CLASS 4 L PLUS)	CONSOLES HAUT + BAS - GRAINE GRIS FONCE (MOD.CLASS 4 L PLUS)		X						
5010004246	130	TOP + BOTTOM CONTROL PANELS - TEXTURED DARK GREY (MOD.4 L PLUS)	CONSOLES HAUT + BAS - GRAINE GRIS FONCE (MOD.4 L PLUS)		X						
	O	POUR RECHAUD LATERAL VOIR ECLATE RECHAUD 3-4 SERIES CLASSIC FOR SIDE STOVE SEE SIDE STOVE SCHEME OF 3-4 SERIES CLASSIC				X	X	X	X		